

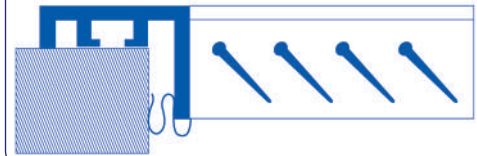


GRILLES & REGISTERS

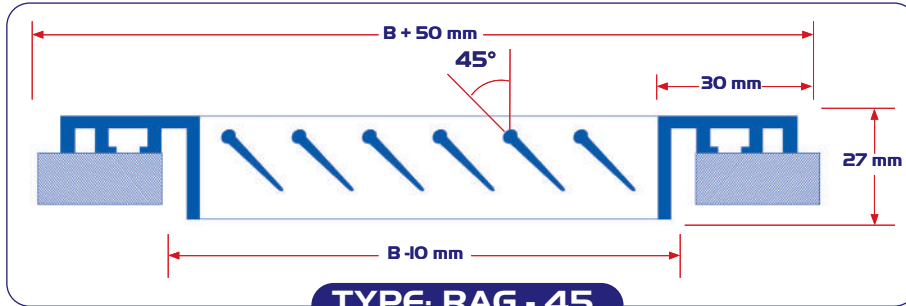
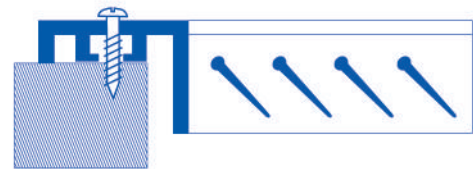


FIXING

1) CONCEALED TYPE FIXING
(WALL ONLY)



2) VISIBLE SCREW FIXING



>> The fixed blade return air grille is a wall mounted return air terminal device. It is composed of a set of horizontal blades fixed at an angle of 45°.

>> The fixed blade return air grilles are manufactured from high grade aluminium extruded bars.

>> Insulating gasket is fixed on request around the back of the frame to prevent infiltration between the frame and the wall.

>> The fixed blade return air grilles are used in cooling, heating and air ventilation.

>> Available with easily removable opposed blades damper, attached to the frame by means of (S) clips to ensure tight attachment and maximum flexibility. The damper is made of extruded aluminum bars and opening of the damper is easily adjusted by means of control lever that is driven by a screw driver from the front face of the register.

FINISH

- >> NATURAL ANODIZED ALUMINIUM FINISH
- >> POWDER COATED TO RAL CODES

Ordering Key:

R	A	R	B	45	SIZE
RAR45: SINGLE DEFLECTION REGISTER (WITH OBD) RAG45: SINGLE DEFLECTION GRILLE (WITHOUT OBD) RAR45/RAG45: COMBINED					
-: WITHOUT OBD B: WITH BLACK OBD M: WITH MILL FINISH OBD					
45: BLADES ARE FIXED AT 45°					
SIZE: WIDTH X HEIGHT					

