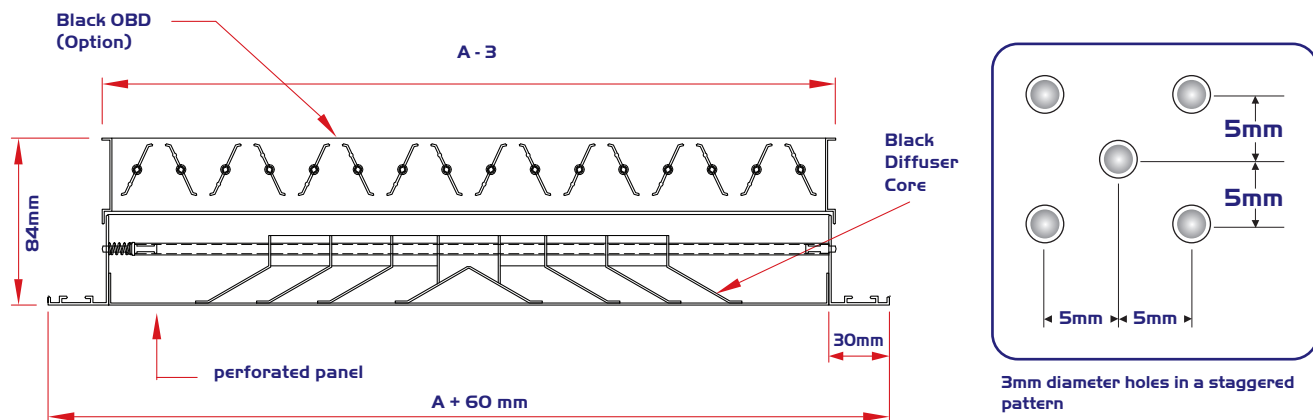
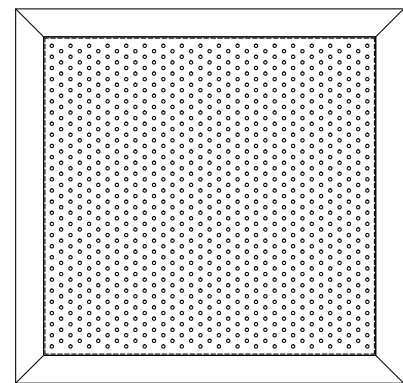
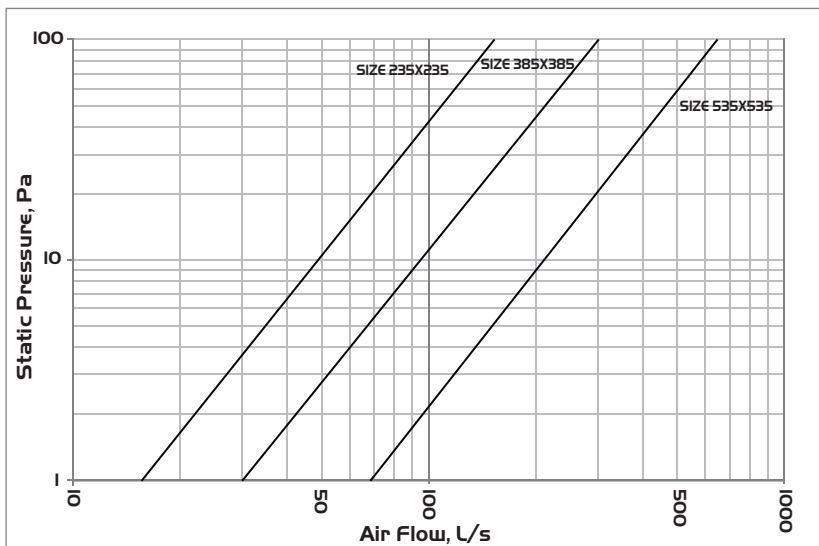
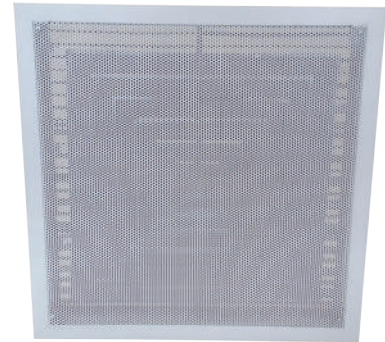




PERFORATED DIFFUSER WITH BLACK 4-WAY CORE – MODEL P4W

Description:

- Ceiling-mounted.
- 3mm dia. Perforated sheet removable face with 30mm flange powder coated to RAL 9010/9016.
- With black 4-way core blades.
- Black Opposed Blades Damper (OBD) as option.



Ordering Key:

P	4	W	B	5	3	5	X	5	3	5
PERFORATED 4-WAY										
- : WITHOUT OBD										
B: WITH BLACK OBD										
M: WITH MILL FINISH OBD										
NECK SIZE: 535X535MM, 385X385MM OR 235X235MM										

