



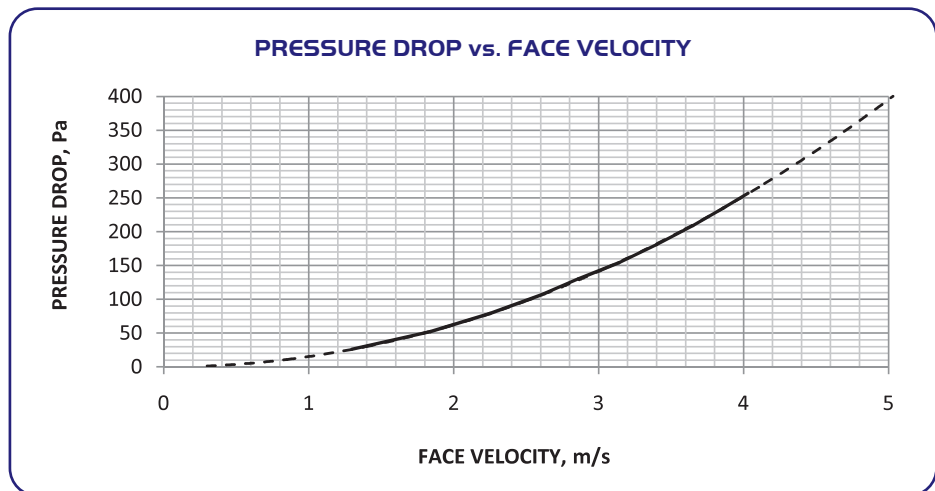
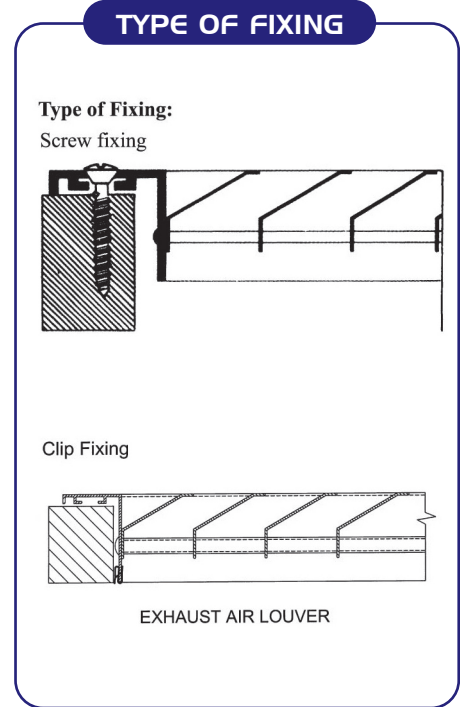
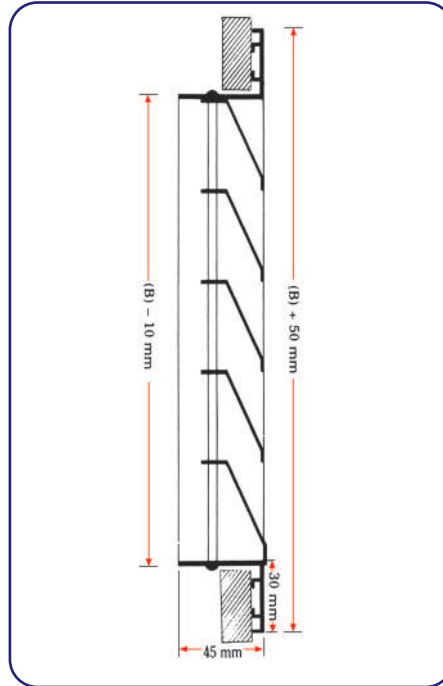
>> The well mounted exhaust air louver EAL-2 is a weather proof external cover for air inlet and discharge openings.

>> The exhaust air louver EAL-2 is composed of a set of blades made of aluminum extruded profiles arranged in horizontal rows and inclined downward to protect against rain water.

>> The exhaust air louver EAL-2 is used in cooling, heating and air ventilation applications.

>> Tested by BSRIA-UK in accordance to EN 13181:2001

>> Frame depth 45mm, spacing 35mm & blade angle 60°



Ordering Key:

E	A	L	2	IS	SIZE
EXHAUST AIR LOUVER WITH 2 INCH DEPTH					
-: WITHOUT SCREEN/WIRE MESH					
IS: WITH G.I. INSECT SCREEN					
SSWM: WITH STAINLESS STEEL WIRE MESH					
SIZE: WIDTH X HEIGHT					
**NOTE: 2000 MM X 2000 MM IS MAXIMUM SINGLE SECTION SIZE					

