



LOUVERS



>> The wall mounted fresh air louver is a simple form of filter louver. It is composed of an exhaust louver with an aluminum filter fixed at the back.

>> The fresh air louver is used to supply fresh clean air to the air handling units.

>> The filter is made from washable aluminum 1" media and is fixed on the back of the grille.

>> Insulating gasket can be fixed around the back of the frame to prevent infiltration between the frame and the wall.

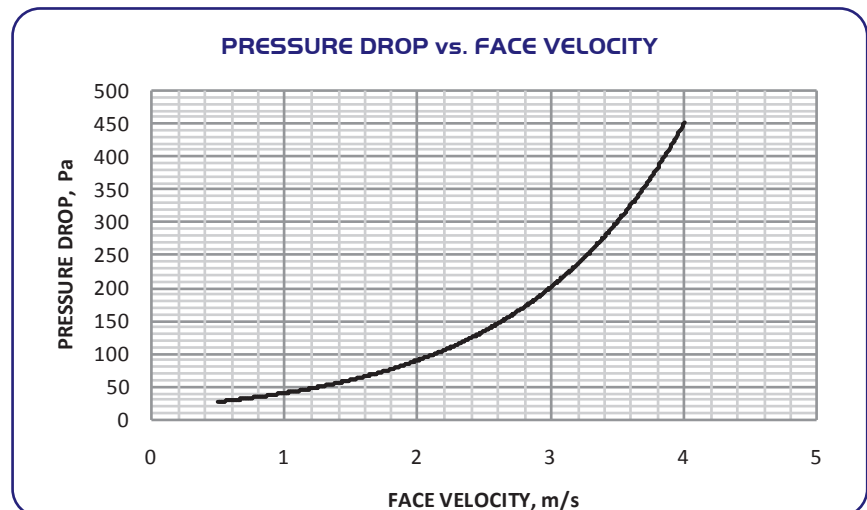
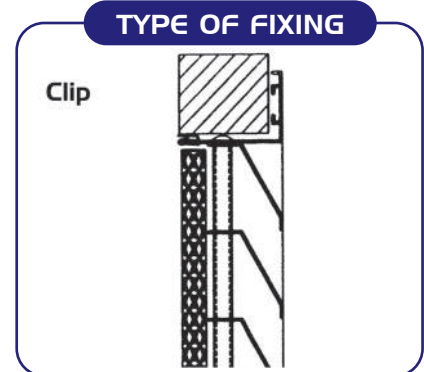
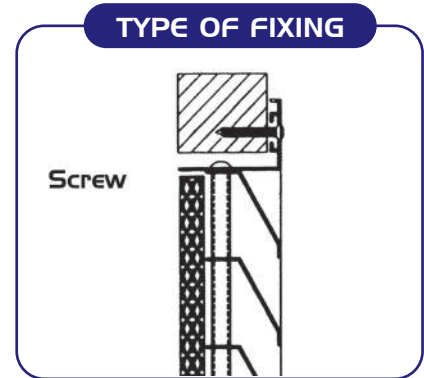
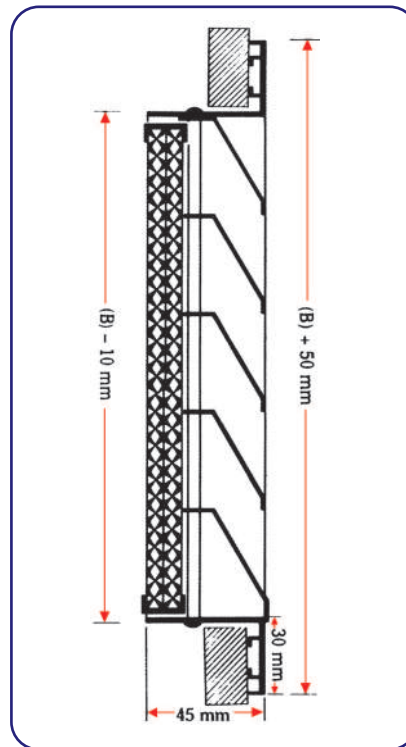
Available types of finishing:

- >> Natural anodized aluminum finish.
- >> Powder coated to RAL codes.

- >> Free area ratio (approx.) = 0.37
- >> To calculate the air flow rate :

$$CFM = \frac{0.37 \times A \text{ (in"}^2) \times B \text{ (in"}^2) \times \text{Face velocity (fpm)}}{144}$$

$$L/S = \frac{0.37 \times A \text{ (mm)}^2 \times B \text{ (mm)}^2 \times \text{Face velocity (m/s)}}{1000}$$



Ordering Key:

F	A	L	DB	SIZE
FRESH AIR LOUVER (WITH 1" AL FILTER)				
-: WITHOUT DAMPER				
DB: WITH BLACK DAMPER				
DM: WITH MILL FINISH DAMPER				
SIZE: WIDTH X HEIGHT				
**NOTE: 2000 MM X 2000 MM IS MAXIMUM SINGLE SECTION SIZE				

