



FIXED SLOTS TYPE - MODEL SWI

STANDARD CONSTRUCTION

- A radial array of deflection blades are pressed into a square steel panel.
- With one counter sunk hole at the center for fixing.
- Powder coated to RAL 9010/9016.



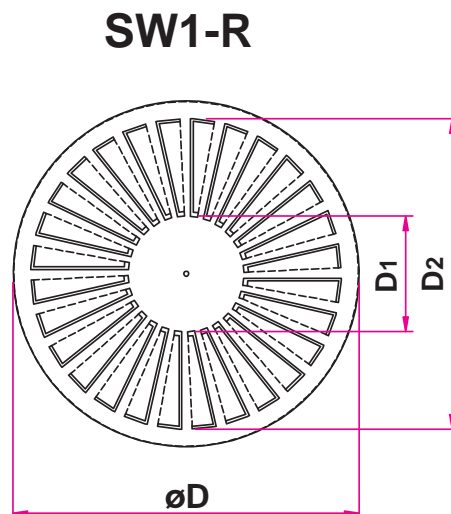
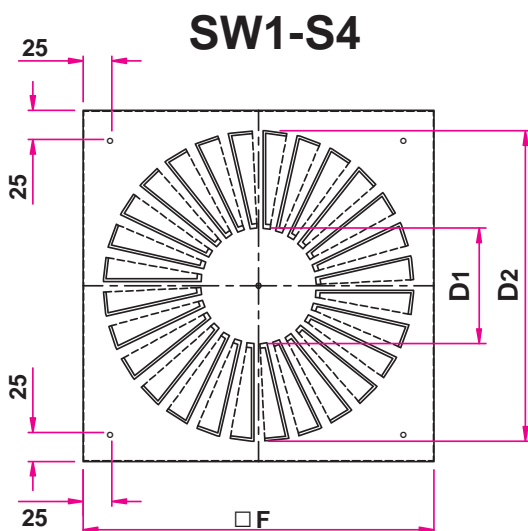
Model SW1

APPLICATION

- For ceiling heights up to 4m.
- For high induction requirements (WITH VAV)
- For fixed swirl air pattern.
- For Supply & Return air use.

DIMENSIONS

Size	D1	D2	□F	∅D	Aef
	mm				m ²
400	130	350	398	400	0.0138
500	130	350	498	500	0.0138
600	130	350	598	600	0.0138
625	130	350	623	625	0.0138
600D	200	540	598	600	0.0367
625D	200	540	623	625	0.0367
675D	200	540	673	675	0.0367

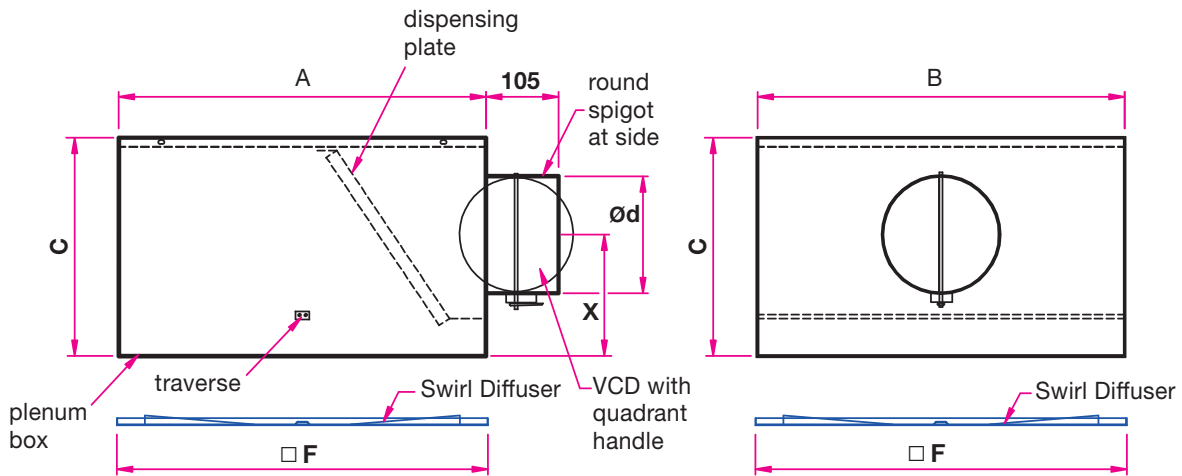




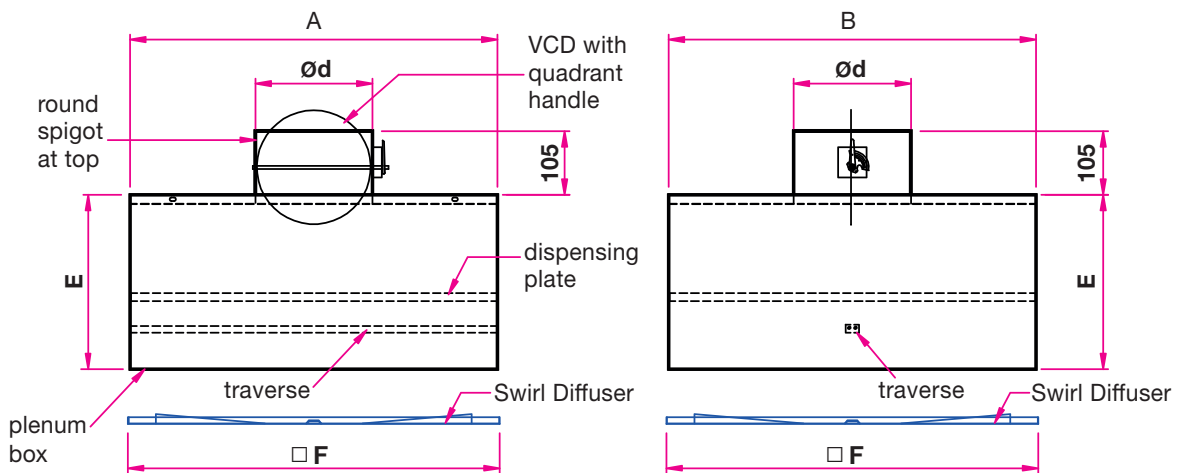
FIXED SLOTS TYPE - MODEL SWI

DIMENSIONS

SQUARE TYPE WITH PLENUM BOX & VCD AT SIDE SPIGOT: MODEL SWISIPSV



SQUARE TYPE WITH PLENUM BOX & VCD AT TOP SPIGOT: MODEL SWISIPTV



Size	mm						
	□F	A	B	C	X	E	Ød
400	398	390	390	290	167	240	198
500	498	390	390	290	167	240	198
600	598	390	390	290	167	240	198
625	623	390	390	290	167	240	198
600D	698	590	590	325	177	240	248
625D	623	590	590	325	177	240	248
675D	673	590	590	325	177	240	248

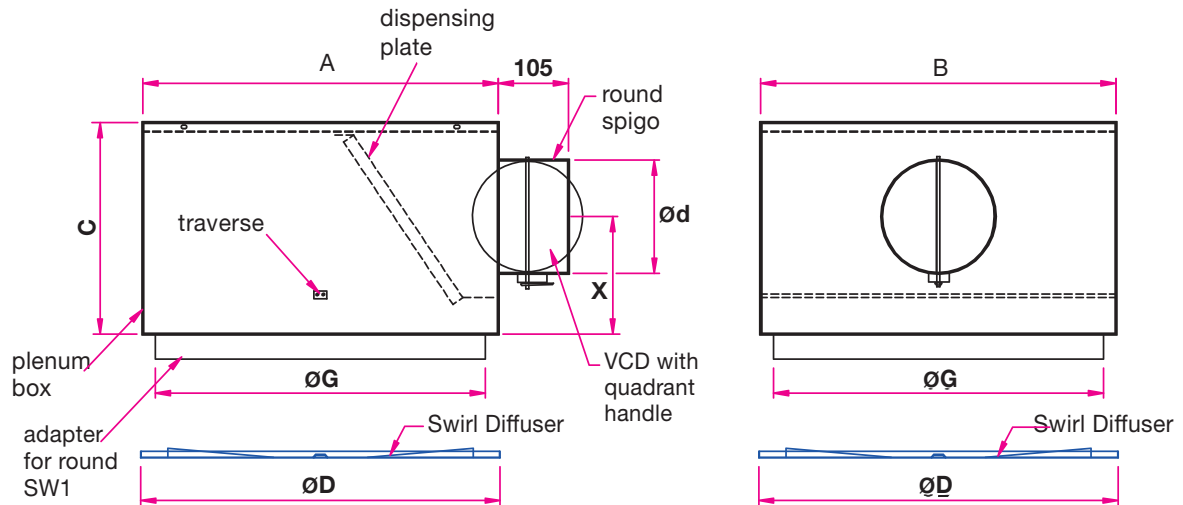




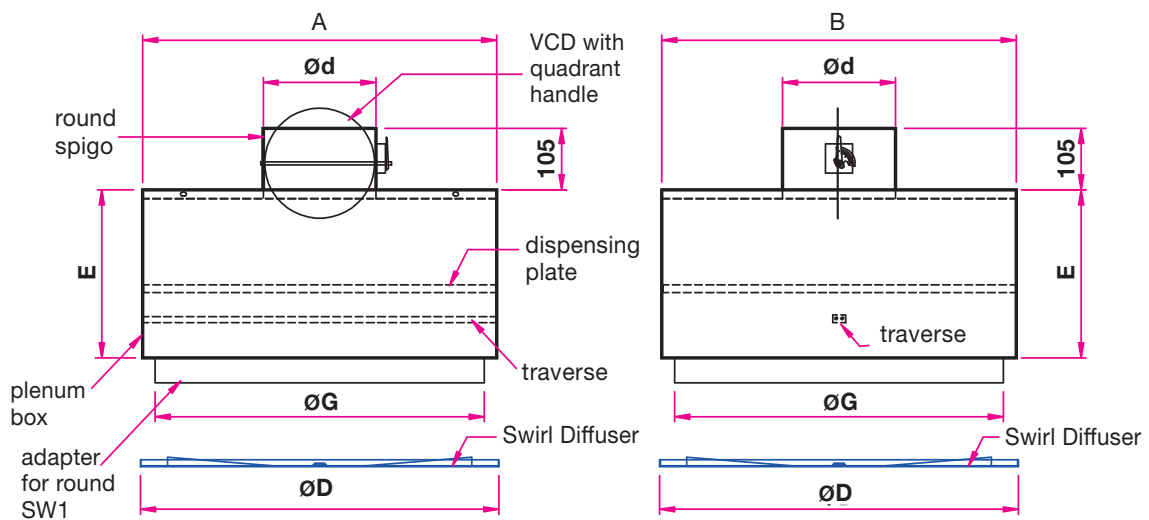
FIXED SLOTS TYPE - MODEL SWI

DIMENSIONS

ROUND TYPE WITH PLENUM & VCD AT SIDE SPIGOT: MODEL SWIRPSV



ROUND TYPE WITH PLENUM BOX & VCD AT TOP SPIGOT: MODEL SWIRPTV



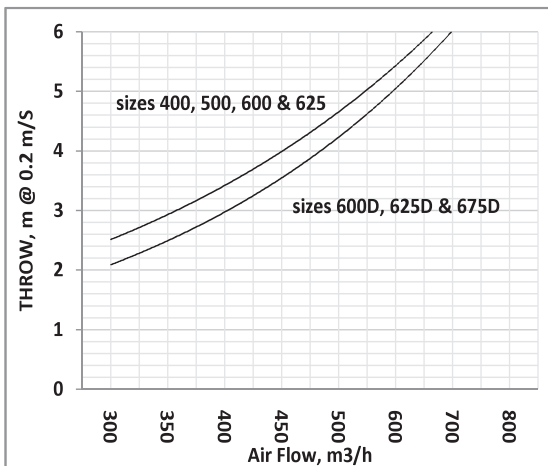
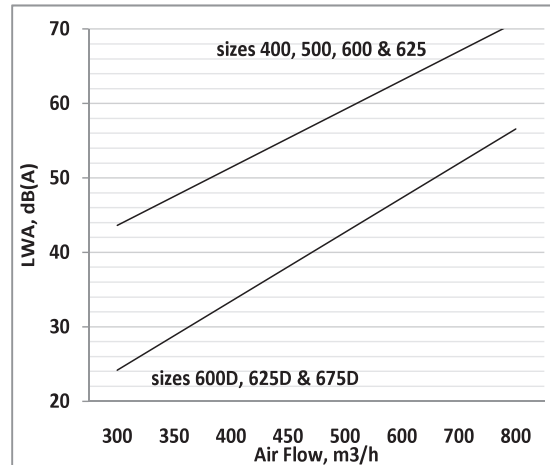
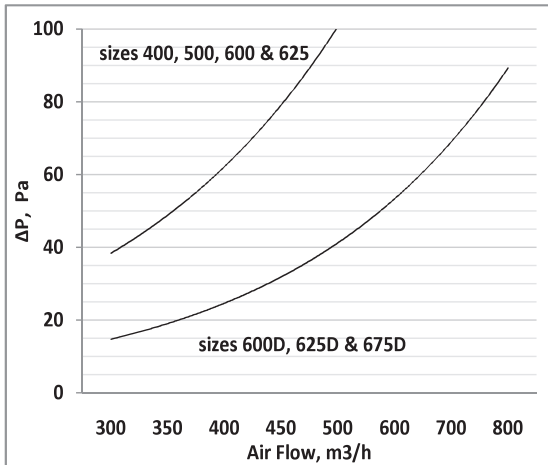
Size	mm							
	ØD	A	B	ØG	C	X	E	Ød
400	400	390	390	370	290	167	240	198
500	500	390	390	370	290	167	240	198
600	600	390	390	370	290	167	240	198
625	625	390	390	370	290	167	240	198
600D	600	590	590	560	325	177	240	248
625D	625	590	590	560	325	177	240	248
675D	675	590	590	560	325	177	240	248





FIXED SLOTS TYPE - MODEL SWI

PERFORMANCE DATA



Note:
The shown figures are noticed at fully open flap of VCD at the round spigot of the plenum box.

Ordering Key:

S	W	I	S	I	PT	V	600
SWIRL DIFFUSER TYPE I FIXED SLOT DEFLECTION							
S: SQUARE FACE R: ROUND FACE							
I: FACE IS FIXED BY I SCREW AT CENTER 4: FACE IS FIXED BY 4 SCREWS AT CORNERS							
PT: WITH PLENUM BOX & SPIGOT AT TOP PS: WITH PLENUM BOX & SPIGOT AT SIDE							
V: WITH VOLUME CONTROL DAMPER TO BE FIXED AT SPIGOT OF PLENUM BOX							
SIZE: FACE SIDE OR DIAMETER 400, 500, 600, 625, 600D, 625D OR 675D							

