



CYLINDRICAL JET NOZZLE - CJN MODEL

CONSTRUCTION

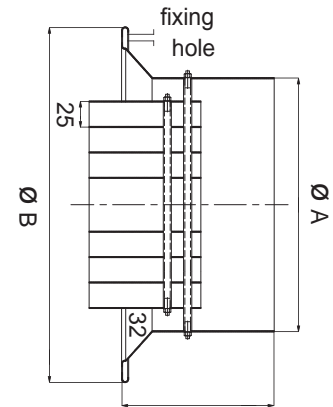
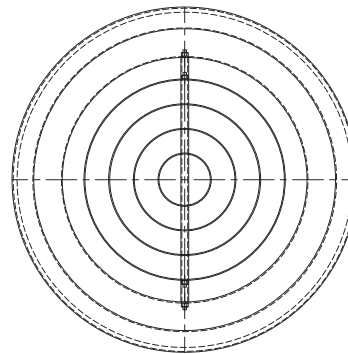
- CJN is particularly designed for long-throw cooling or heating applications.
- 180° Adjustable air direction within ±30° degrees angle.
- Made of Aluminum construction.
- Powder coated finish to RAL 9010/9016.
- Fixing by means of C-shaped channel and hidden screws at the neck of the nozzle.
- CJNP model combines more than one nozzle within rectangular panel; as a set of 2, 3 or 4 nozzles per panel.



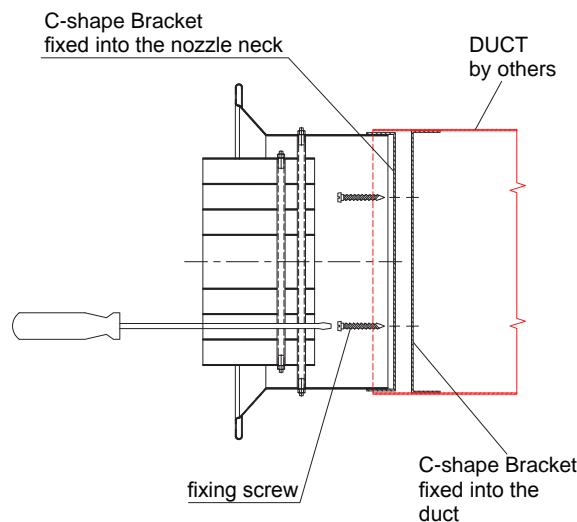
Model CJN

DIMENSIONS

Size	ØA mm	ØB mm
200	204	303
250	253	353
300	302	402
350	353	452
400	402	503



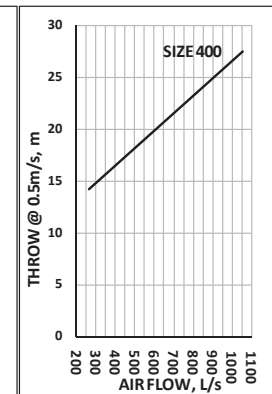
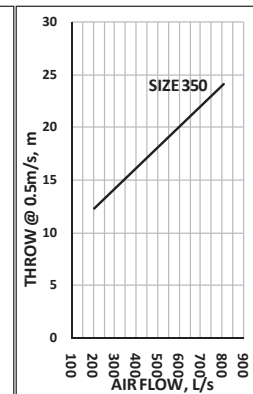
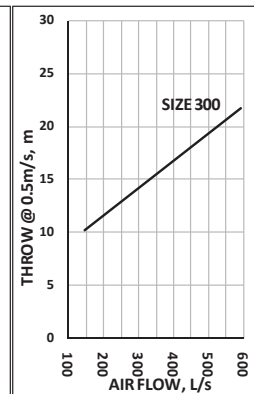
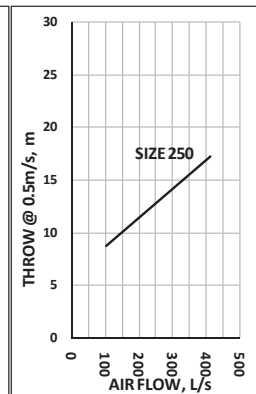
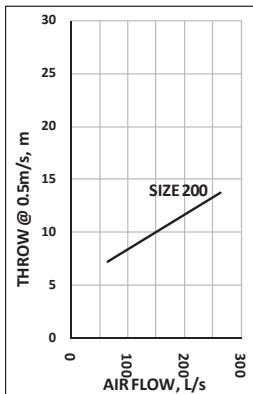
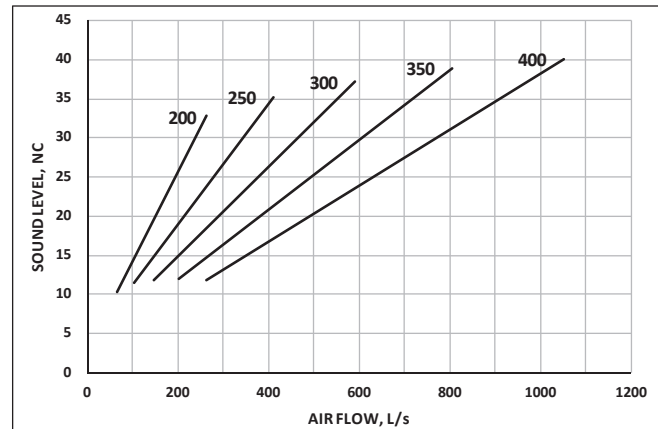
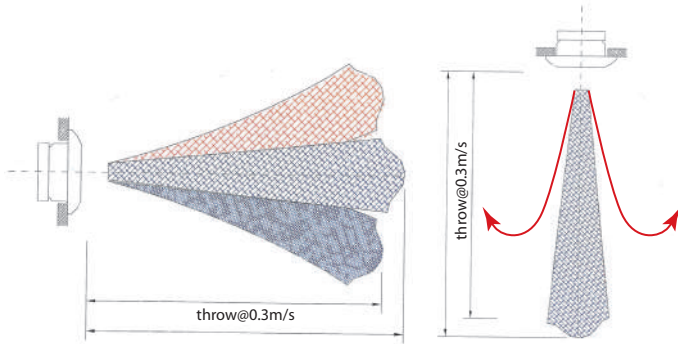
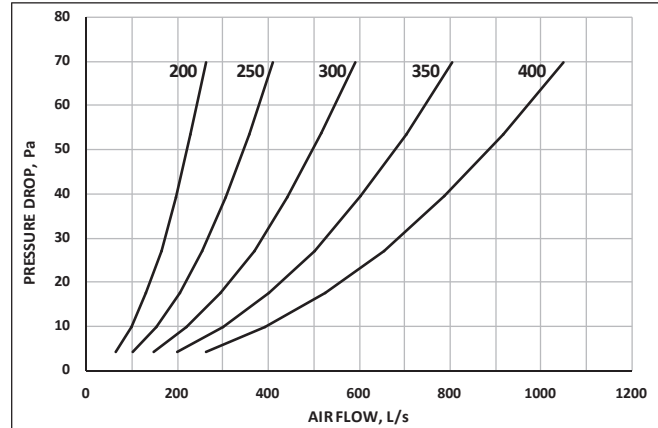
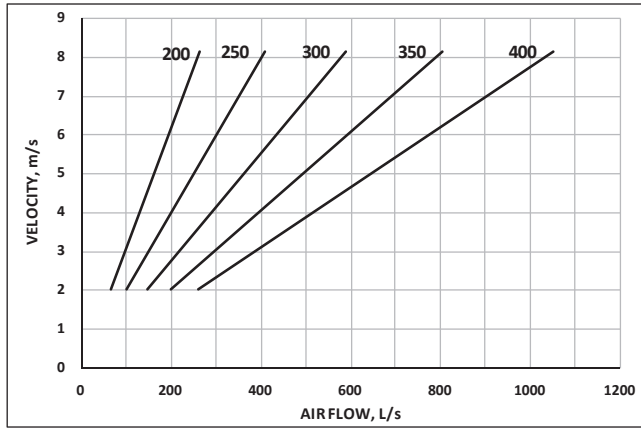
INSTALLATION





CYLINDRICAL JET NOZZLE - CJN MODEL

PERFORMANCE DATA



Ordering Key:

C	J	N	P	3	2	5	0
CYLINDRICAL JET NOZZLE							
-: INDIVIDUAL NOZZLE _ STANDARD							
P: NOZZLES COMBINED ON A PANEL							
NO. OF NOZZLES (1-4) COMBINED ON A PANEL FOR CJNP							
MODEL ONLY							
SIZE: 200, 250, 300, 350. OR 400							

