



BACKDRAFT (NON-RETURN) DAMPER - MODEL NRD & PRESSURE RELIEF DAMPER - MODEL PRD

STANDARD CONSTRUCTION

1) NRD:

Frame: 0.9mm thick galvanized steel.
Blades: 1.0mm thick extruded Aluminum profiles.
Axles: Round extruded Aluminum profiles.
Seal: Foam blades seals.
Size: Single section up to 1200 X 1200mm.

2) PRD:

Frame: 0.9mm thick galvanized steel.
Blades: 1.0mm thick extruded Aluminum profiles with adjustable counterweight for fine-tune operation.
Axles: Round extruded Aluminum profiles.
Bushing: Brass bushes.
Seal: Foam blades seals.
Size: Single section up to 1200 X 1200mm.

3) DPRD & IPRD:

Frame: 1.2mm thick extruded Aluminum profiles.
Blades: 1.0mm thick extruded Aluminum profiles with adjustable counterweight for fine-tune operation.
Axles: Round extruded Aluminum profiles.
Bushing: Brass bushes.
Seal: Foam blades seals.
Size: Single section up to 1200 X 1200mm.

Model NRD-CR



Model PRD



Model DPRD



OPTIONS

FEATURE	MODEL	NRD	NRD-CR	NRDB	NRDB-CR	PRD	DPRD	IPRD
BRASS BUSHES	YES			✓	✓	✓	✓	✓
	NO	✓	✓					
BLADES-CONNECTING ROD	YES		✓		✓	✓	✓	✓
	NO	✓		✓				
COUNTERWEIGHT	YES					✓	✓	✓
	NO	✓	✓	✓	✓			
FLANGES	1 SIDE						✓	✓
	2 SIDES	✓	✓	✓	✓	✓		
FINISH	MILL FINISH	✓	✓	✓	✓	✓		
	POWDER COATED TO RAL9010/9016						✓	✓
INSTALLATION	2-SIDES DUCTED	✓	✓	✓	✓	✓		
	WALL-MOUNTED						✓	✓
APPLICATION	DISCHARGE						✓	
	INTAKE							✓
	BOTH	✓	✓	✓	✓	✓		

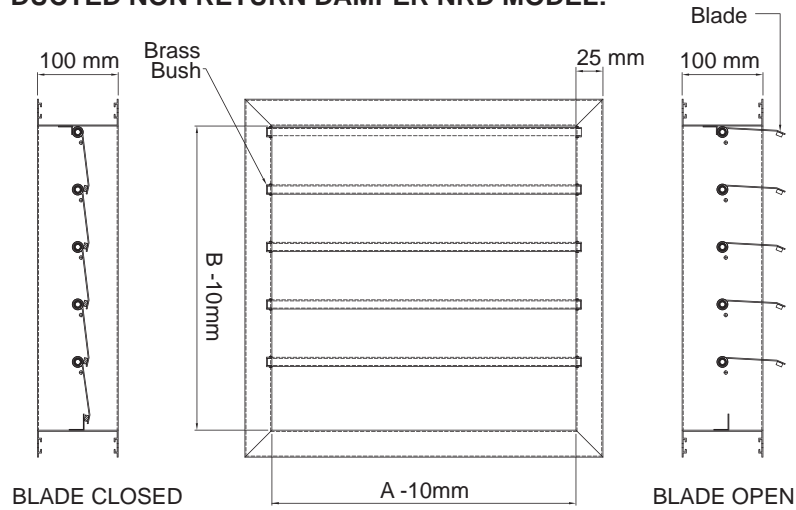
OPTION: NRD & PRD MODELS CAN BE MADE OF 12MM THICK ALUMINUM FRAME INSTEAD OF STEEL FRAME. OTHER COMPONENTS REMAIN AS STANDARD CONSTRUCTION.



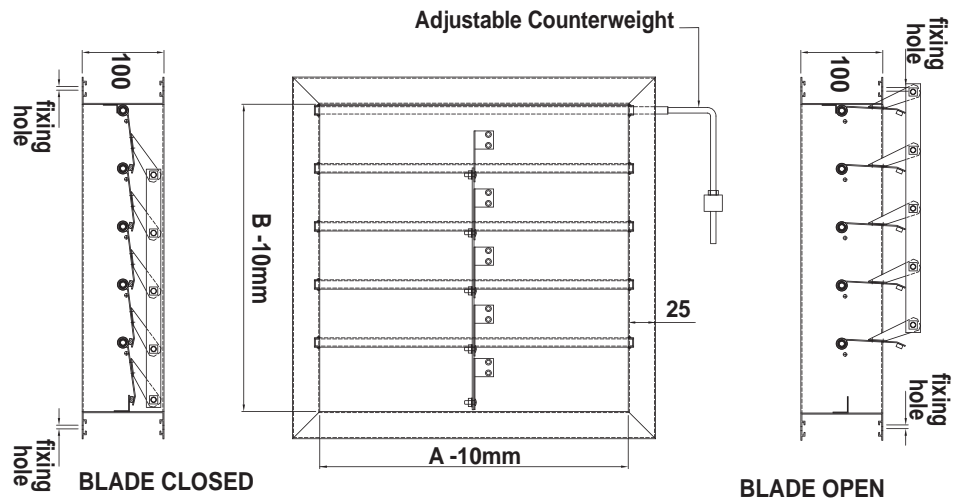


DIMENSIONS

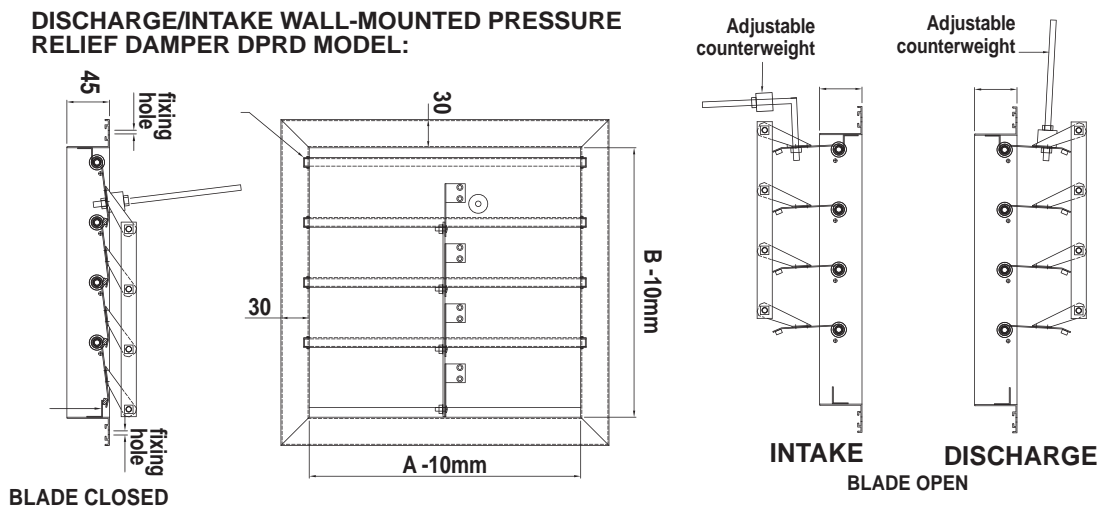
DUCTED NON RETURN DAMPER NRD MODEL:



DUCTED PRESSURE RELIEF DAMPER PRD MODEL:



DISCHARGE/INTAKE WALL-MOUNTED PRESSURE RELIEF DAMPER DPRD MODEL:

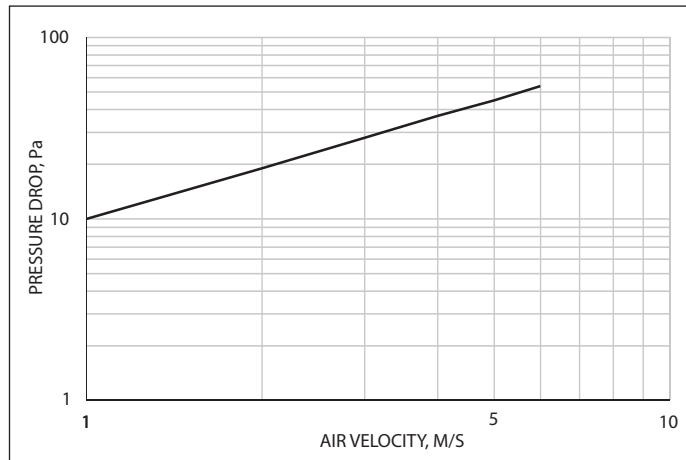




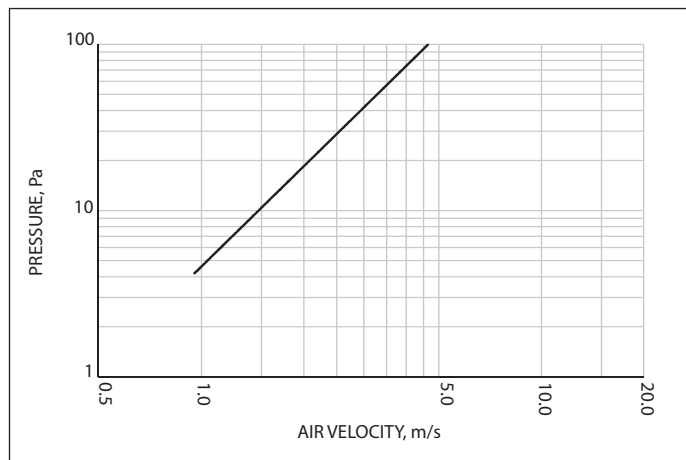
BACKDRAFT (NON-RETURN) DAMPER - MODEL NRD & PRESSURE RELIEF DAMPER - MODEL PRD

PERFORMANCE DATA

FOR NRD MODELS:



FOR PRD MODELS:



Ordering Key:



N	R	D	B	CR	W	X	H
NRD: NON-RETURN DAMPER NRD-CR: NON-RETURN DAMPER WITH CONNECTING ROD NRDB: NON-RETURN DAMPER WITH BRASS BUSHES NRDB-CR: NON-RETURN DAMPER WITH BRASS BUSHES & CONNECTING ROD PRD: DUCTED PRESSURE RELIEF DAMPER DPRD: DISCHARGE WALL-MOUNTED PRESSURE RELIEF DAMPER IPRD: INTAKE WALL-MOUNTED PRESSURE RELIEF DAMPER							
SIZE: WIDTH X HEIGHT							

