



DAMPERS



ACC2L



ACCPH



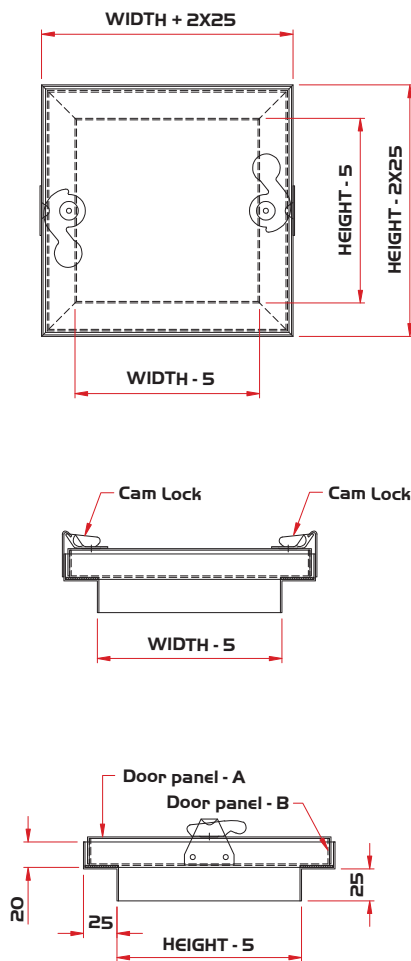
ACCPHLK

**Description:**

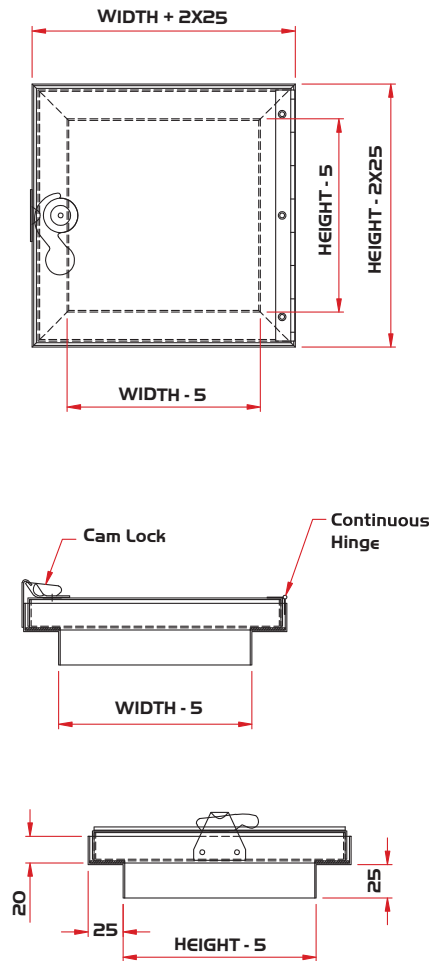
- Made of 1.2mm thick galvanized steel.
- Contain 1" thick glass fiber insulation of  $24\text{kg/m}^3$ .
- Provided with gasket between door & frame.
- For closure, equipped with one of the following alternatives.
  - 2 cam locks (standard)
  - 1 cam lock & Piano-hinge.
  - Piano-hinge & handle operated lock with key.

**Dimensions :**

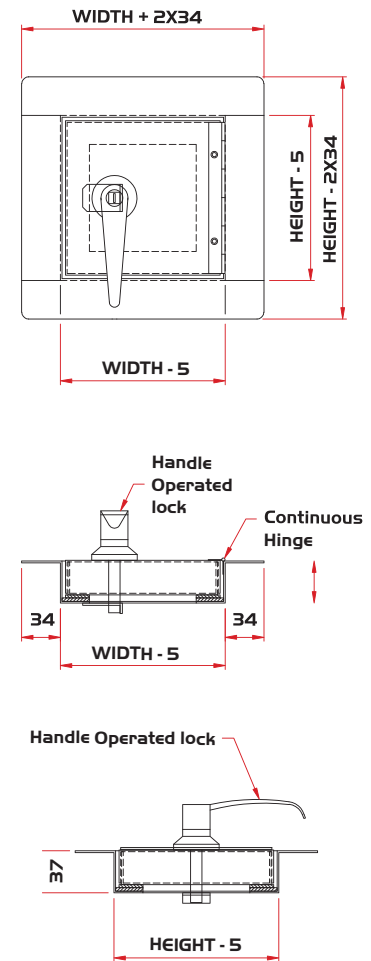
ACCESS DOOR WITH 2 CAM LOCKS



ACCESS DOOR WITH A CAM LOCK & PIANO HINGE

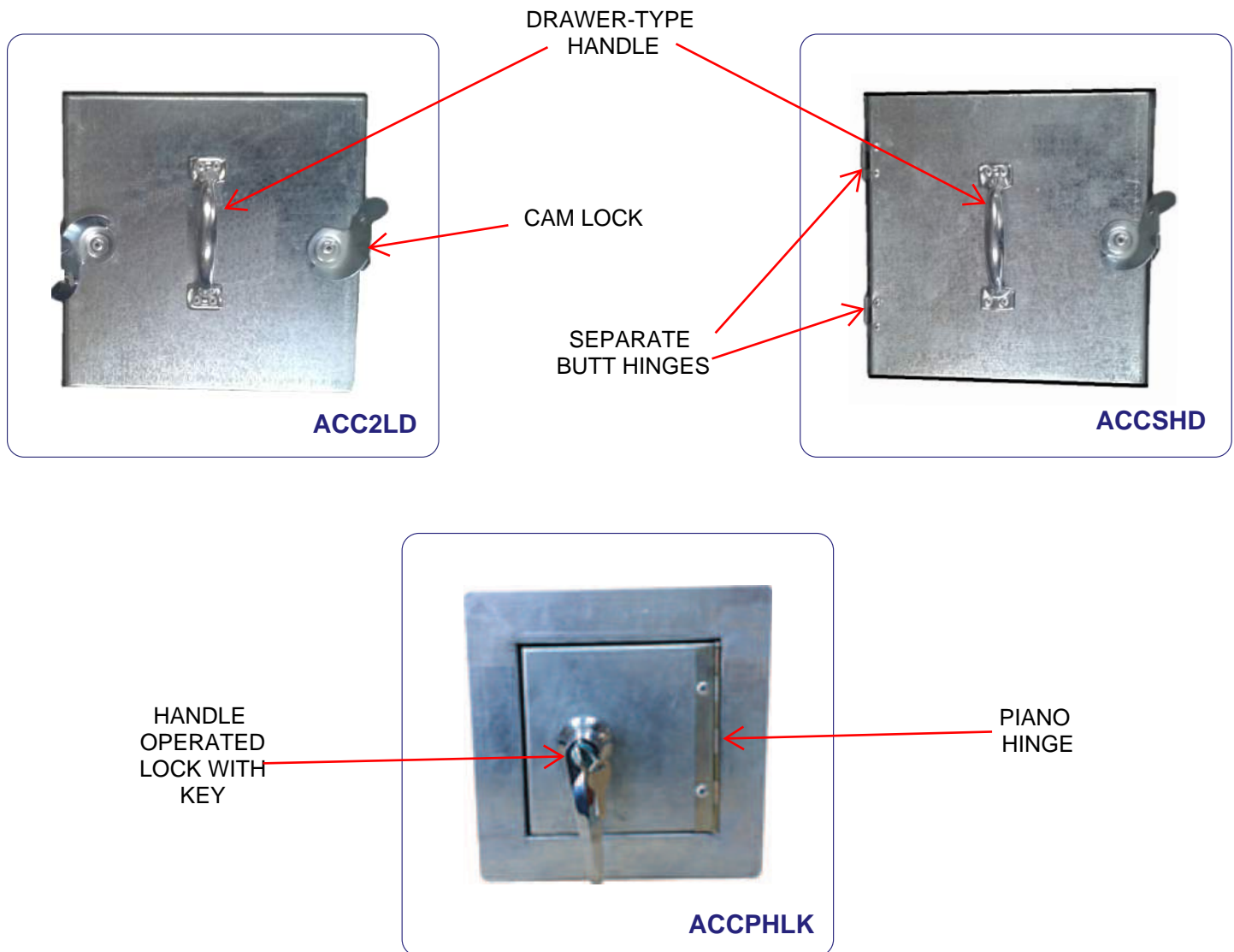


ACCESS DOOR WITH A HANDLE OPERATED LOCK & PIANO HINGE





OPTIONS



Ordering Key:



A	C	C	P	H	L	K	W	X	H
ACCESS DOOR									
2L : WITH 2 CAM LOCKS ( STANDARD ) 2LD : WITH 2 CAM LOCKS & DRAWER-TYPE HANDLE PH : WITH PIANO HINGE & A CAM LOCK PHD : WITH PIANO HINGE, A CAM LOCK & DRAWER-TYPE HANDLE SH : WITH SEPARATE HINGES & A CAM LOCK SHD : WITH SEPARATE HINGES, A CAM LOCK & DRAWER-TYPE HANDLE PHLK : WITH PIANO HINGES & HANDLE OPERATED LOCK WITH A KEY SHLK : WITH SEPARATE BUTT HINGES & HANDLE OPERATED LOCK / KEY									
SIZE : WIDTH X HEIGHT									

