



By-Pass Variable Air Volume Terminal – Model EBP

DESCRIPTION

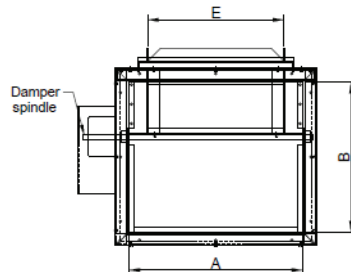
- Casing is made of 0.9mm & damper blade is made of 1.2mm; galvanized steel sheet.
- Blades are with rubber gasket, and self-lubricating plastic bushes.
- Damper shaft is made of solid square ½X½ inch G.I.
- Acoustically and thermally insulated with 1” thick glass fiber material 24kg/m3 that conform to NFPA-90A & 255, UL 181 and ASTM C665.
- Adjustable sliding-type by-pass outlet.
- Flanges at inlet & discharge openings.
- Responses proportionally to cooling requirements by changing the air volume supplied to space to be air conditioned while relieves conditioned air to the return ceiling plenum or duct.
- EBP maintains a constant air volume across the central system while it supplies a variable air volume to the space.



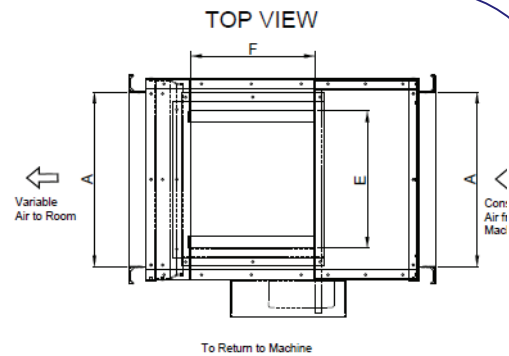
MODEL EBP

UNIT SIZE	DIMENSIONS					
	MAX CFM	DISCHARGE		C	BY PASS	
		A	B		E	F
1	200	250	200	400	175	100
2	400	300	250	400	225	150
3	600	350	300	550	275	250
4	800	400	350	550	325	250
5	1200	450	400	600	375	275
6	1500	500	450	600	450	150
7	2400	600	500	600	550	150
8	3200	800	550	600	750	150

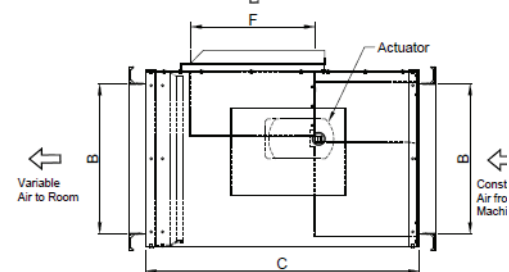
NOTE : ALL DIMENSIONS ARE IN MM



FRONT VIEW



TOP VIEW



SIDE VIEW



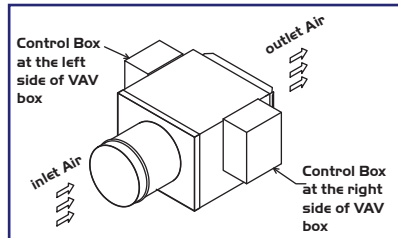


By-Pass Variable Air Volume Terminal – Model EBP

SOUND DATA

	CFM	ΔP_{SD} inch WG	ΔP_{SB} inch WG	NC _D	NC _R
SIZE 1	75	0.07	0.09	-	10
	125	0.14	0.18	12	12
	150	0.24	0.32	14	14
	200	0.35	0.51	19	20
SIZE 2	150	0.05	0.08	-	-
	250	0.12	0.17	12	13
	325	0.21	0.30	13	19
	400	0.33	0.42	15	25
SIZE 3	250	0.04	0.05	-	-
	350	0.09	0.13	-	11
	475	0.16	0.22	12	14
	600	0.25	0.32	13	22
SIZE 4	325	0.03	0.06	-	-
	475	0.07	0.11	-	12
	650	0.12	0.19	11	15
	800	0.20	0.28	13	22
SIZE 5	475	0.03	0.05	-	-
	725	0.06	0.11	-	12
	950	0.11	0.20	12	16
	1200	0.17	0.33	13	21
SIZE 6	850	0.03	0.06	-	-
	950	0.06	0.11	-	13
	1300	0.12	0.21	11	16
	1500	0.18	0.32	13	23
SIZE 7	950	0.04	0.07	-	11
	1450	0.10	0.22	-	15
	1925	0.18	0.34	12	23
	2400	0.29	0.42	14	30
SIZE 8	1275	0.04	0.08	-	11
	1925	0.09	0.22	11	15
	2550	0.15	0.36	12	23
	3200	0.23	0.45	14	31

- 1- ΔP_{SD} is the static pressure loss through the unit with 100% air flow through discharge outlet.
- 2- ΔP_{SB} is the static pressure loss through the unit with 100% air flow through by-pass outlet.
- 3- NC_D is the discharge noise criteria through the unit with 100% air flow through discharge outlet, based on 10 dB room absorption.
- 4- NC_R is the radiated noise criteria through an exposed unit with 100% air flow through discharge outlet, based on 10 dB room absorption.



ORDERING KEY

E	B	P	I	L	B	S	T
BY-PASS TYPE RECTANGULAR VAV BOX							
SIZE: 1, 2, 3, 4, 5, 6, 7 OR 8							
L: CONTROL BOX AT LEFT OF VAV BOX (STANDARD)							
R: CONTROL BOX AT RIGHT OF VAV BOX							
ACTUATOR:							
B: BELIMO							
G: GRUNER							
H: HONEYWELL							
J: JOHNSON							
S: SIEMENS							
O: OTHERS							
W: WITHOUT ACTUATOR							
THERMOSTAT:							
A: ACSYS							
B: BELIMO							
H: HONEYWELL							
J: JOHNSON							
S: SIEMENS							
T: TITAN							
O: OTHERS							
W: WITHOUT THERMOSTAT							
T: WITH TRANSFORMER							
-: WITHOUT TRANSFORMER							

