



SUPER VENT – INSULATED FLEXIBLE DUCTS

SUPER VENT **Insulated Flexible Ducts** is a tough, flexible and low weight duct which is extensively employed in ventilation and air conditioning structures for residential, commercial and industrial applications. They are suitable for connecting supply air outlets to rigid ductwork.

SUPERVENT SV-IFD model is made with double laminated clear polyester film bonded with strong black adhesive permanently to the corrosion resistant steel wire helix. Thermal efficiency is provided by wrapping the exterior with Ecosse technology fiberglass insulation. Strong vapour barrier is made with **metallized polyester film cover**.



SUPER VENT SV-IFDM model is made with double laminated metallized polyester clear film bonded with strong adhesive permanently to the corrosion resistant steel wire helix. Thermal efficiency is provided by wrapping the exterior with Ecosse technology fiberglass insulation. Strong vapour barrier is made with **metallized polyester film laminate**.





SUPER VENT SV-IFDA model is made with triple laminated aluminium clear polyester film bonded with strong adhesive permanently to the corrosion resistant steel wire helix. Thermal efficiency is provided by wrapping the exterior with Ecosse technology fiberglass insulation. Strong vapour barrier is made with **triple laminated aluminum polyester**.



Product Specifications:

Standard length	: 25 Feet
Diameter	: 4" to 20"
Maximum air velocity	: 5000 fpm
Maximum positive pressure	: 10" w.g- 4" to 16"
Maximum negative pressure	: ¾" w.g all diameters
Operating temperature	: -30° C to +150° C (-20° F to +300° F)
Insulation thickness	: 25mm to 50mm
Insulation density	: 16 Kg/m ³ , 24Kg/m ³ , 32Kg/m ³ - BS 476 & UL approved
Insulation R. value Max	: 4.2
Applications	: Recommended to insulate rigid duct, HVAC ducting in applications such as AC ventilation, cold air supply, blowers and more.

SUPER VENT – UNINSULATED FLEXIBLE DUCTS

SUPER VENT uninsulated flexible ducts are made of polyester film casing and reinforced with polyester spirally wound steel wire. The steel spring wire helix structure ensures that the duct is stable even when fully stretched and can withstand any mechanical abuse, thereby providing efficient air distribution.



When correctly installed the SUPERVENT uninsulated flexible ducts are proven to be highly efficient.

SUPERVENT SV-UIFDB model is made with **double laminated clear polyester film** bonded with strong black pigment adhesive permanently to the corrosion resistant steel wire helix.

SUPERVENT SV-UIFDM model is made with **double laminated metallized polyester film** bonded with strong adhesive permanently to the corrosion resistant steel wire helix

SUPERVENT SV-UIFDA model is made with **triple laminated aluminum polyester film** bonded with strong adhesive permanently to the corrosion resistant steel wire helix.



Product Specifications:

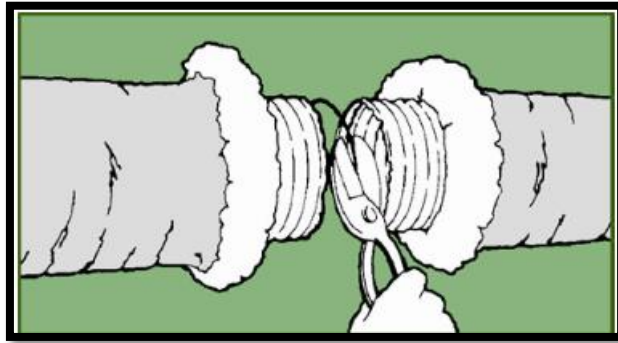
Standard length	: 25 Feet
Diameter	: 4" to 16"
Maximum air velocity	: 5000 fpm
Maximum positive pressure	: 10" w.g- 4" to 16"
Maximum negative pressure	: ¾" w.g all diameters
Operating temperature	: -30° C to +150° C (-20° F to +300° F)
Standard color	: Metallic silver
Insulation density	: 16 Kg/m ³ , 24Kg/m ³ , 32Kg/m ³ - BS 476 & UL approved
Applications	: Air-conditioning and ventilating system including commercial, residential and institutional applications such as schools and hospitals.

Note: Custom -made lengths available on request.

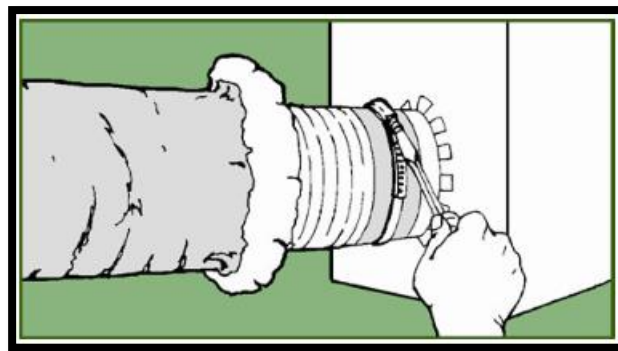
Sizes and properties are as per industry norms

RECOMMENDED INSTALLATION PROCEDURE

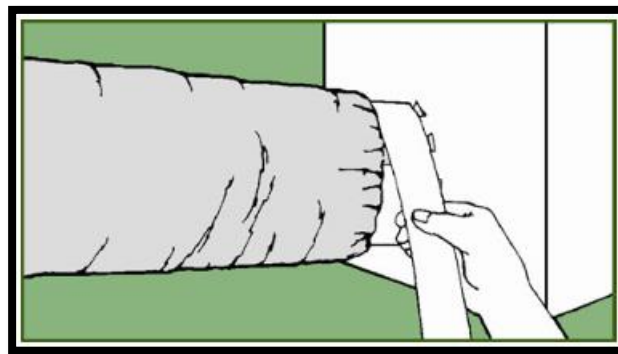
Connections: Using Tape and Fasteners



- 1) After desired length is determined, cut completely around and through duct with knife or scissors. Cut wire with wire cutters. Fold back jacket and insulation.

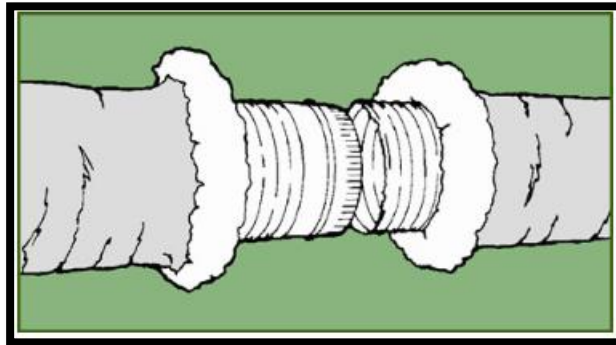


- 2) Slide at least 1" [25 mm] of core over fitting and past the bead. Seal core to collar with at least 2 wraps of duct tape. Secure connection with clamp placed over the core and tape and past the bead.

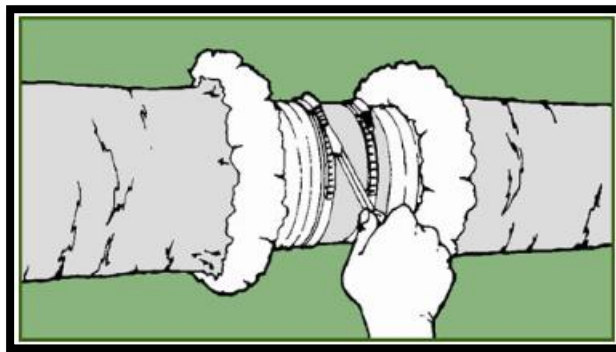


- 3) Pull jacket and insulation back over core. Tape jacket with at least 2 wraps of duct tape. A clamp may be used in place of or in combination with the duct tape.

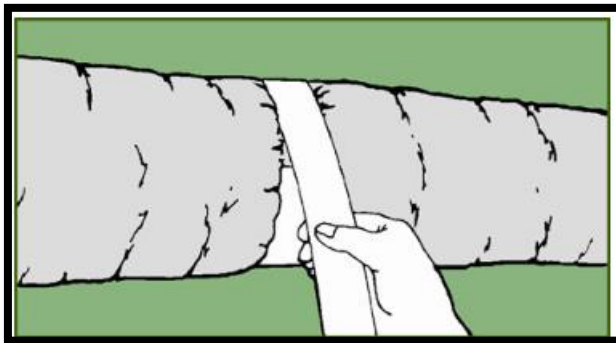
SPLICES: Using Tape and Fasteners



- 1) Fold back jacket and insulation from core. Butt two cores together on a 4" [100 mm] min. length metal sleeve.



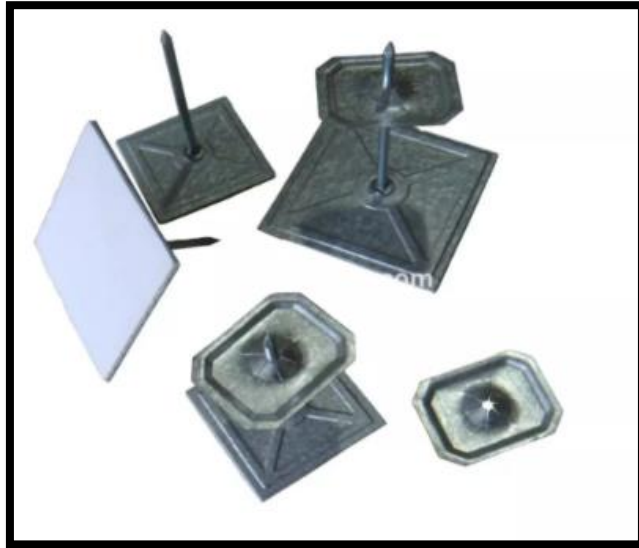
- 2) Tape cores together with at least 2 wraps of duct tape. Secure connection with 2 clamps placed over the taped core ends and past the beads



- 3) Pull jacket and insulation back over cores. Tape jackets together with at least 2 wraps of duct tape

INSULATION PINS (SVIP)

These pins are intended to meet industrial standards utilizing steel as per ASTM A653 grade.



Base metal with 28 gauge galvanized steel

Size: 50mm X 50mm, Pin: Soft un-nailed Zinc plated steel wire nails and aluminium wire nails with alloy 1100. Washers are rectangular in size with structural steel SS30 grade, 0.37 to 0.4mm thickness.

Self-adhesive type Pins with steel and aluminium nails:

Insulation Pins with self-adhesive fasteners which are generally used in HVAC system to fix thermal insulation or acoustic liner on to the duct surface, internally or externally. Function of these Pins is to hold the insulation firmly, not allowing any slump and avoid any condensation.



PRODUCT CODE	BASE SIZE	NAIL LENGTH	QTY/BOX	SUGGESTED INSULATION THICKNESS
SVIP 25MM	2"	25mm	500	20mm
SVIP 32MM	2"	32mm	500	25mm
SVIP 45MM	2"	45mm	500	38mm
SVIP 50MM	2"	50mm	500	38mm
SVIP 65MM	2"	65mm	500	50mm
SVIP 75MM	2"	75mm	500	75mm
SVIP 90MM	2"	90mm	500	75mm
SVIP 100MM	2"	100mm	500	100mm
SVIP 110MM	2"	110mm	500	100mm
SVIP 120MM	2"	120mm	500	100mm
SVIP 130MM	2"	130mm	500	125mm
SVIP 140MM	2"	140mm	500	125mm
SVIP 150MM	2"	150mm	500	150mm

Installation Instruction: Important instruction to comply in order to achieve prime performance from **SUPERVENT** Insulation Pins.

- Ensure the surface is clean and dry, free from oil and dust particles
- Remove the release paper from the back of the insulation pins and fix on the surface
- Firmly press the base of the pin at the required position, fix the insulation over the pins and lock the insulation roll to steel surface using the steel washer provided.



SUPERVENT DUCT CONENCTOR

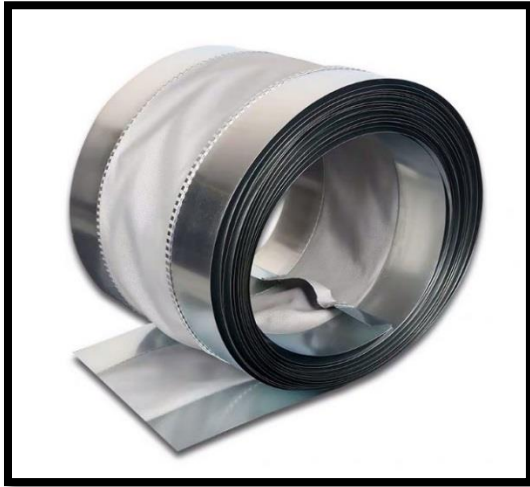
All mechanical equipment like Air Handling Units, Fan Coil Units and Ventilation Fans generate noise and vibrations when used. To eliminate the noise and vibrations from transmitting through the air ducts, it is necessary to install an airtight flexible joint between the outlet of the equipment, and the inlet of the ducts.

During manufacturing, the joint formed by attaching a layer of fabric to two strips of metal on either side is called a “Flexible Duct Connector”.

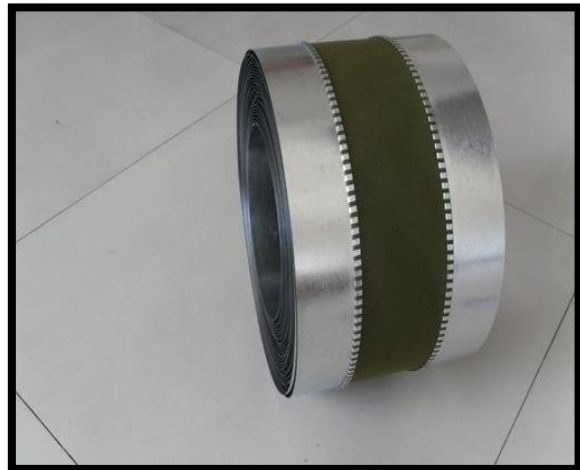
The most critical part of this Flexible Duct Connector is the fabric which has to be selected to suit the typical requirements of each installation.

Base fabric/ Coating	Code	Metal Width	Fabric Width	Metal Width	Packing
Polyester/Vinyl	SV-PV-3-134	1 ¾”	3”	1 ¾”	100/150
	SV-PV-4-300	3”	4”	3”	100/150
	SV-PV-4-400	4”	4”	4”	100/150
	SV-PV-6-300	3”	6”	3”	100/150
	SV-PV-3-300	3”	3”	3”	100/150
Glassfibre/Neoprene	SV-GN-3-134	1 ¾”	3”	1 ¾”	100/150
	SV-GN-4-300	3”	4”	3”	100/150
	SV-GN-4-400	4”	4”	4”	100/150
	SV-GN-6-300	3”	6”	3”	100/150
	SV-GN-3-300	3”	3”	3”	100/150
Glassfibre/Silicone	SV-GS-4-300	3”	4”	3”	100/150
	SV-GS-4-400	4”	4”	4”	100/150
	SV-GS-6-300	3”	6”	3”	100/150
	SV-GS-3-300	3”	3”	3”	100/150

PVC DUCT CONNECTOR



SILICONE DUCT CONNECTOR



NEOPRENE DUCT CONNECTOR





TECHNICAL DATA SHEET

Fabric (Code)	Color	Weight	Base Fabric	Tensile Strength	Tongue Tear	Low Temp	High Temp	Features
Vinyl (SV-PV-IN)	Black	22 ozs/sq yd	Woven Polyester	500/400 lbs	150/150 lbs	-40°F	200°F	<ul style="list-style-type: none"> • Economically all purpose fabric with excellent resistance to cuts, tears or abrasions. • Flame retardant coating with non-combustible fabric • Not affected to mildew. • Resistant to weather and most chemicals, grease & oil. • Complying with UL214 • Complying with BS 5438/2A for fire retardancy.
Neoprene Commercial (SV-GN-IN)	Black	27 ozs/sq yd	Woven Fibre glass	500/500 lbs	25/20 lbs	-58°F	225°F	<ul style="list-style-type: none"> • Ideal for kitchen exhaust & fume hoods. • Flame retardant coating with non-combustible fabric • Not affected to mildew. • Resistant to weather and most chemicals, grease & oil. • Complying with UL214 • Complying with BS 476 Part 7 (Class 1)
Silicone (SV-Gs-IN)	Silver Grey	22 ozs/sq yd	Woven Fibre glass	500/500 lbs	50/40 lbs	-60°F	500°F	<ul style="list-style-type: none"> • Ideal for high temp applications. Flame retardant coating with non-combustible fabric • Adversely affected by gas, toluene, acetone, grease • Not affected to mildew. • Resistant to weather and most chemicals. • Complying with UL214



SUPER VENT ALUMINIUM TAPE

SUPER VENT Aluminium Foil Tape is a soft malleable Aluminium foil coated with an aggressive solvent acrylic adhesive. It can be used at normal as well as elevated and super low temperatures. It provides an excellent vapour seal and is ideally used for sealing joints, seams against moisture and vapour on foil jacketing insulation.

Foil tapes are used mostly in the HVAC industry, sealing & patching hot & cold air ducts, metal repairs and much more.



Product Specifications

Construction	: Substrate-soft aluminium / Adhesive-solvent acrylic
Foil thickness	: 25-30 microns
Standard color	: Metallic silver
Temp resistance	: 30°F to +250°F
Peel adhesion	: 83 oz/inch width
Roll back tack	: 4" (7/16")
Elongation at break	: 4%
Tensile strength	: 17 lbs/inch width
Standard sizes	: 2" (48mm) & 3" (72mm)



Notes: Length and width can be customized as per customer requirements. Sizes and properties are as per the industrial norms

Applications instruction: Before application the surface must be cleaned and should be free from dust, oil, water or any other solvents. For best results, the tape should be applied in normal room temperature.

Storage: The tape should be stored in room temperature and 50%RH in company packing.

Shelf life: 12 months from manufacturing date.